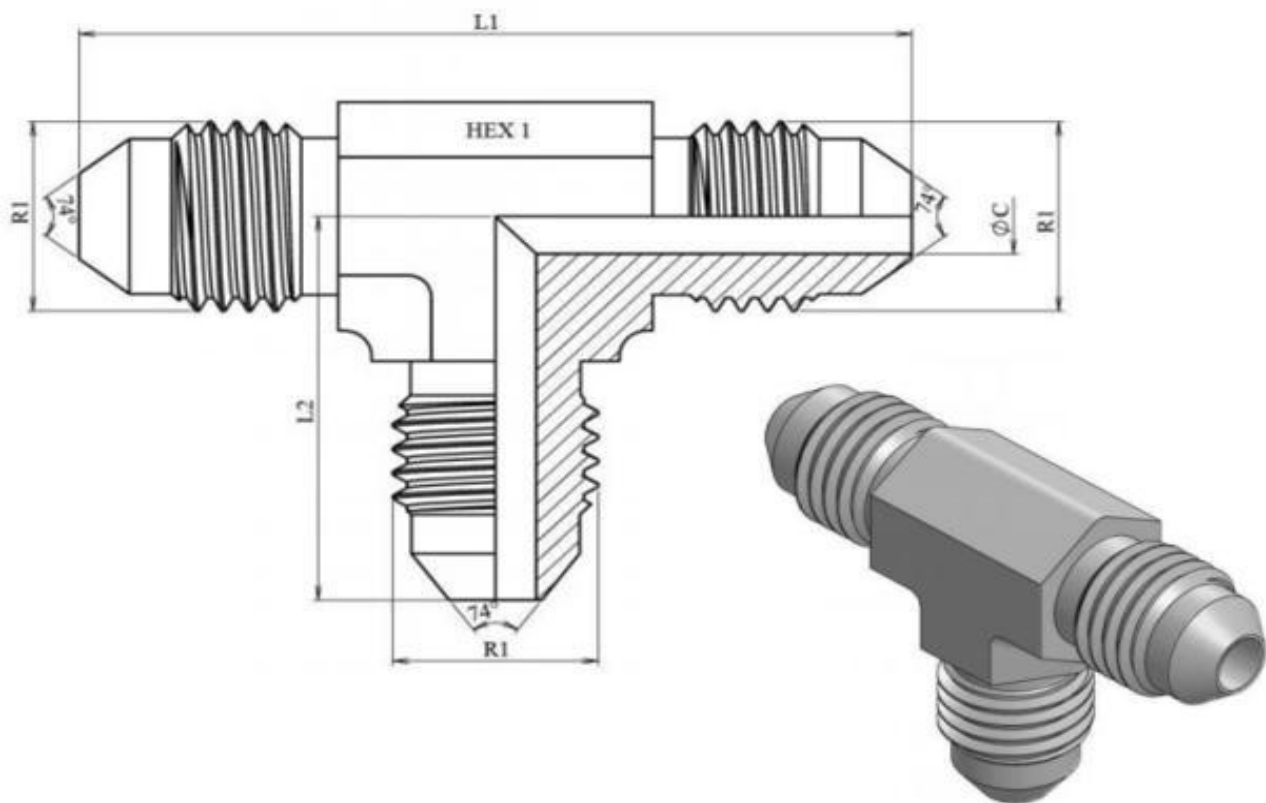


**Adaptor UNF T - UNFT-FE**  
filet exterior  
con 74 de grade



| Cod            | R1<br>(filet exterior) | R2=R1<br>(filet exterior) | R3=R1<br>(filet exterior) | L1  | L2   | HEX1 | Preț EUR |
|----------------|------------------------|---------------------------|---------------------------|-----|------|------|----------|
| UNFT-FE 7/16   | 7/16"                  | 7/16"                     | 7/16"                     | 45  | 22.5 | 12   | 4.47     |
| UNFT-FE 1/2    | 1/2"                   | 1/2"                      | 1/2"                      | 53  | 26.5 | 14   | 4.71     |
| UNFT-FE 9/16   | 9/16"                  | 9/16"                     | 9/16"                     | 54  | 27   | 14   | 5.28     |
| UNFT-FE 3/4    | 3/4"                   | 3/4"                      | 3/4"                      | 64  | 32   | 19   | 8.31     |
| UNFT-FE 7/8    | 7/8"                   | 7/8"                      | 7/8"                      | 78  | 39   | 24   | 10.00    |
| UNFT-FE 1.1/16 | 1.1/16"                | 1.1/16"                   | 1.1/16"                   | 84  | 42   | 27   | 11.81    |
| UNFT-FE 1.3/16 | 1.3/16"                | 1.3/16"                   | 1.3/16"                   | -   | -    | 33   | 18.69    |
| UNFT-FE 1.5/16 | 1.5/16"                | 1.5/16"                   | 1.5/16"                   | 100 | 50   | 36   | 19.16    |
| UNFT-FE 1.5/8  | 1.5/8"                 | 1.5/8"                    | 1.5/8"                    | 105 | 27.5 | 46   | 47.40    |
| UNFT-FE 1.7/8  | 1.7/8"                 | 1.7/8"                    | 1.7/8"                    | 118 | 59   | 50   | 133.24   |

Prețurile NU conțin TVA